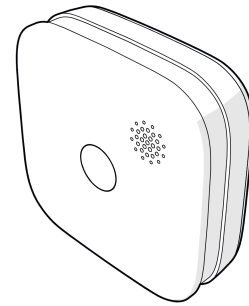




Wi-Fi Smoke alarm

Article number: WIFIDS20WT



Nedis BV
De Tweeling 28, 5215 MC 's-Hertogenbosch, The Netherlands 05/22

Preface

Thank you for purchasing the Nedis WIFIDS20WT.

This document is the user manual and contains all the information for correct, efficient and safe use of the product.

This user manual is addressed to the end user. Read this information carefully before installing or using the product.

- Always store this information with the product for use in the future.

-
-

Product description

- The WIFIDS20WT is a smoke alarm.
- The product is powered by a CR123A battery (included) and has a low battery warning indicator.
- The product is designed for detecting smoke in the air. The smoke alarm cannot prevent a fire.

Intended use

This product is intended for smoke detection in confined spaces.

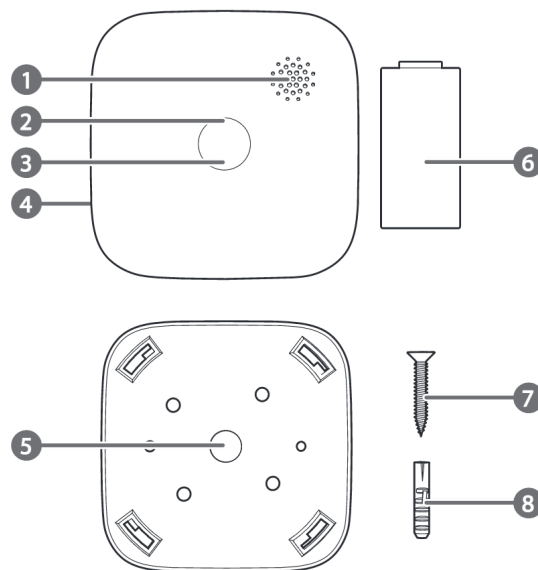
Other uses or changes to the product constitute improper use and carry serious risk of accidents. This product is for indoor use only. This product is not intended for commercial use.

The product must not be mounted in damp rooms, near doors, windows, ventilators or radiators.

Any modification of the product may have consequences for safety, warranty and proper functioning.

Product	Wi-Fi Smoke alarm
Article number	WIFIDS20WT
Dimensions (l x w x h)	76 x 76 x 28.5 mm
EU Certification	EN 14604:2005/AC:2008
Battery type	CR123A 3 V (Included)
Battery lifespan	Up to 2 years
Alarm volume	>85 dB @ 3 m
Alarm output	Visual and audible indication, Nedis Smartlife notification
Low-battery alert	Yes
Operating temperature	-10 °C – 55 °C
Operating humidity	≤95%
Wireless connections	Wi-Fi: 802.11 b/g/n
Wi-Fi frequency range	2412 - 2472 MHz

Main parts (image **A**)



A

- 1 Alarm
- 2 Test/Silence button
- 3 Indicator
- 4 Battery compartment
- 5 Mounting bracket
- 6 Battery
- 7 Screws (2x)
- 8 Plugs (2x)

Safety instructions

⚠ WARNING

- Ensure you have fully read and understood the instructions in this document before you install or use the product. Keep the packaging and this document for future reference.

- Do not drop the product and avoid bumping.
- Do not expose the product to water, rain, moisture or high humidity.
- Test the product once per week to ensure proper operation.
- Do not paint the product.
- Do not use this product in a dusty or smoky ambience.
- Do not use the product for outdoor uses, the product is designed for indoor use.
- Replace the product under conditions of malfunction or end-of-life.
- This product may only be serviced by a qualified technician for maintenance to reduce the risk of electric shock.
- Do not dismantle, open or shred cells or batteries.
- Do not expose cells or batteries to heat or fire. Avoid storage in direct sunlight.
- Do not short-circuit a cell or a battery.
- Do not store cells or batteries haphazardly in a box or drawer where they may short-circuit each other or be short-circuited by other metal objects.
- Do not subject cells or batteries to mechanical shock.
- In the event of a battery leaking, do not allow the liquid to come in contact with the skin or eyes. If contact has been made, wash the affected area with copious amounts of water and seek medical advice.
- Only use the battery type(s) recommended in this document.
- Keep cells and batteries clean and dry.
- Retain the original product literature for future reference.
- Battery usage by children should be supervised.
- Dispose of the cell or battery properly.
- Seek medical advice immediately if a cell or a battery has been swallowed.

Installation

Check the contents of the package

Check that all parts are present and that no damage is visible on the parts. If parts are missing or damaged, contact the Nedis B.V. service desk via the website: www.nedis.com.

Installing the battery

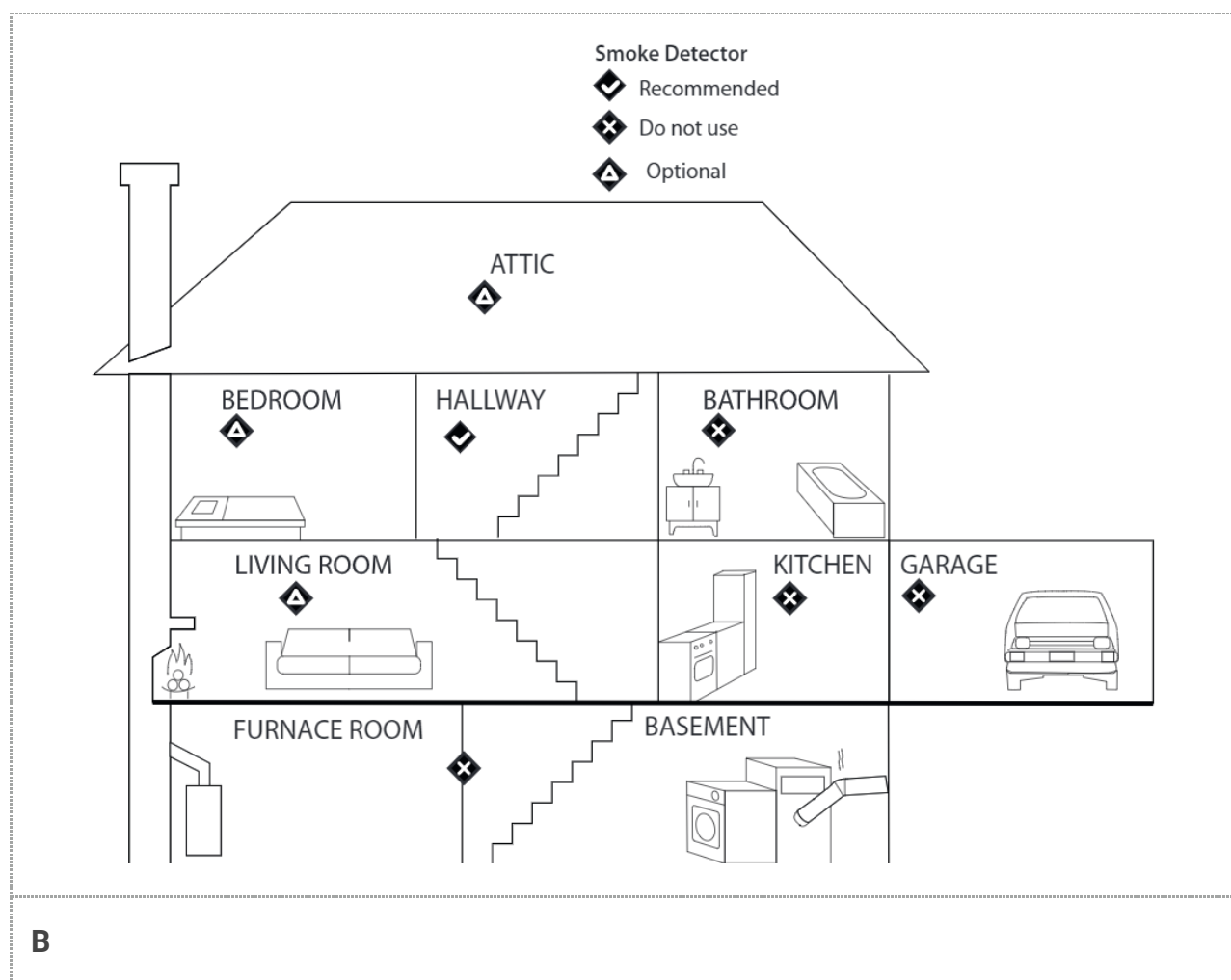
1. Turn the alarm **A1** counter clockwise to remove it from the bracket **A5**.

4. Test the product.

⚠ Constant exposure to high or low humidity may reduce battery life.

Choosing a location (image B & C)

For the highest safety, it is recommended to install the product in areas with a source of combustion where smoke can be detected as quickly as possible.



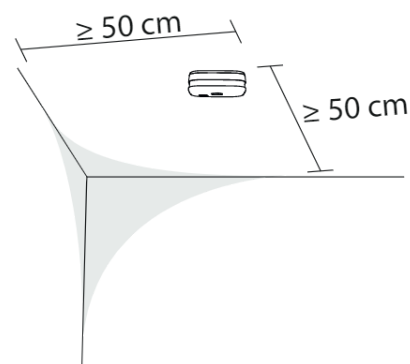
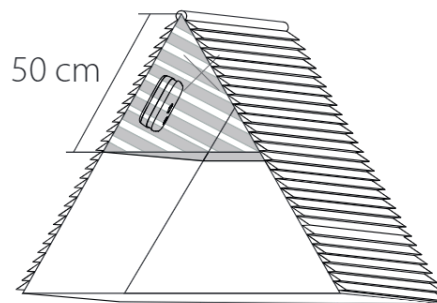
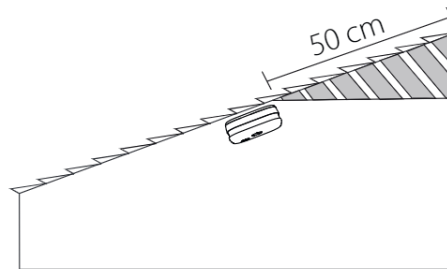
The product should be installed in:

- Every sleeping area.
- Both ends of a hallway longer than 12 m.
- Every room where a furnace, a heat source and/or other burning devices are located.
- Every room where multiple people spend several consecutive hours.
- Install at least one product on each floor of a multi-level home.

In areas with a source of combustion:

- On the ceiling, at least 50 cm away from surrounding walls.
- At a central point in the room.

preventing smoke from reaching the product.



C

In sleeping areas:

- Not in turbulent air (near windows, ceiling fans or air conditioners).
- Not behind objects (curtains or closets).

Other areas:

- Not in turbulent air (near windows, ceiling fans or air conditioners).
- Not behind objects (curtains or closets).

i For optimal smoke detection install the product at a minimal height of 1.80 m.

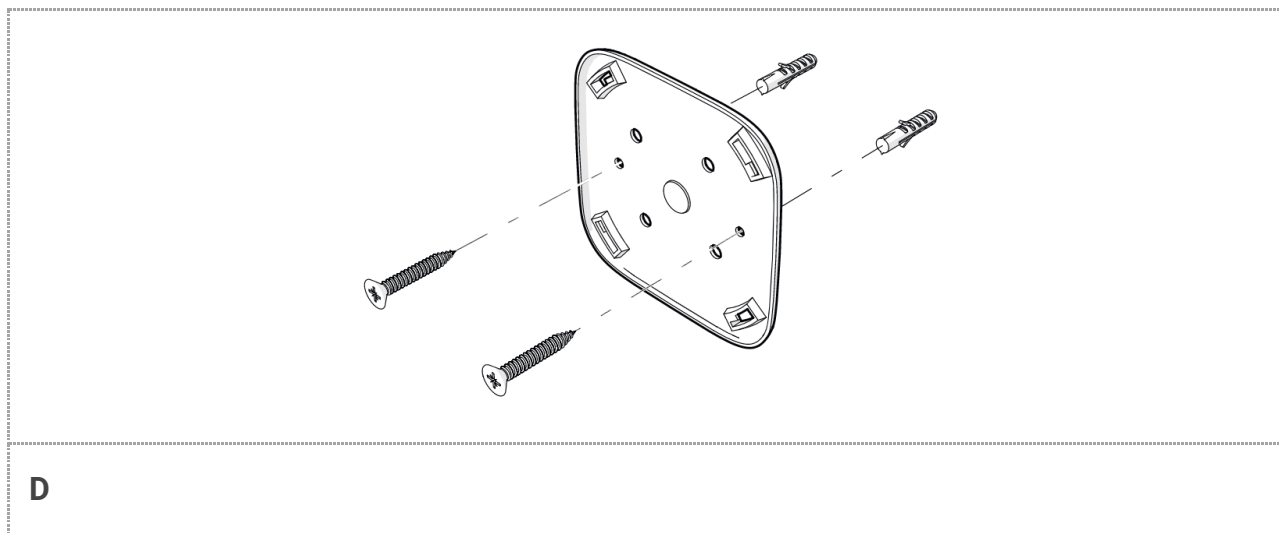
Do not install the product:

- in dirty, greasy or dusty areas.
- in temperatures below -10 °C.
- in temperatures above 55 °C.
- in turbulent air (near ceiling fans, air conditioners or open windows).

- behind objects like curtains or closets.
- within 1 m of fluorescent light.

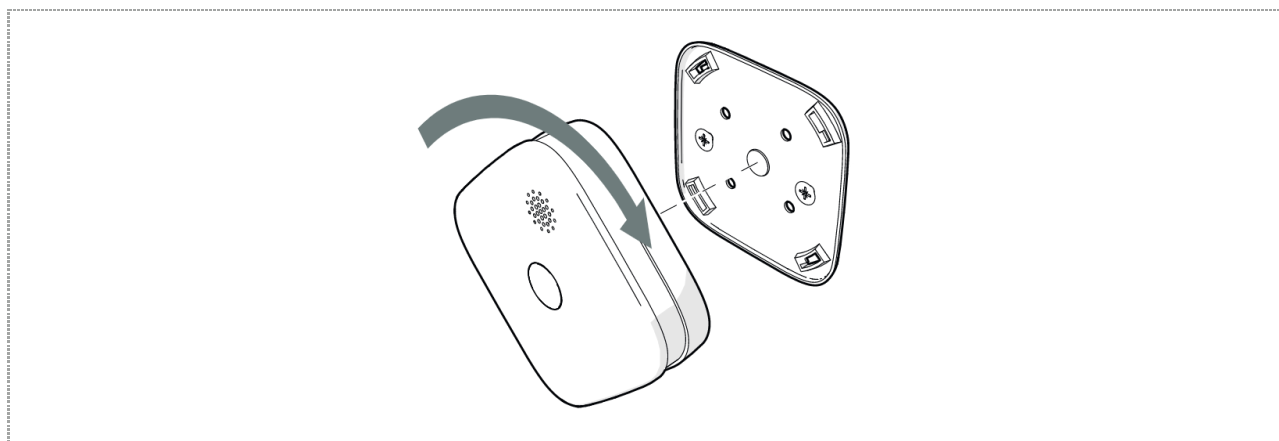
Installing/Mounting the product (image **D** & **E**)

1. Place the bracket **A5** in the desired location.




D

- Follow steps 2. - 6. for stone/concrete surfaces. Continue to step 5. for wood surfaces.
- 2. Use the bracket **A5** to mark the drill locations with a pencil.
- 3. Drill two \varnothing 4 mm holes.
- 4. Insert the plugs **A8** into the holes.
- 5. Fasten the bracket **A5** with the screws **A7**.
- **i** Do not overtighten the screws, this will deform the bracket.
- **i** Alternatively, attach the mounting bracket to the surface with the adhesive strip.
- 6. Turn the alarm **A1** clockwise to attach it to the bracket **A5**.



Installing the Nedis SmartLife app

1. Download the Nedis Smartlife app for Android or iOS on your phone via Google Play or the Apple App Store.
 2. Open the Nedis Smartlife app on your phone.
 3. Create an account with your e-mail address and tap **Continue**.
 4.  You will receive a verification code on your e-mail address.
 5. Enter the received verification code.
 6. Create a password and tap **Done**.
 7. Tap **Add Home** to create a SmartLife Home.
 8. Set your location, choose the rooms you want to connect with and tap **Done**.
-

Connecting the app

1. Make sure Bluetooth is enabled on your smartphone.
 2. Open the Nedis Smartlife app on your phone.
 3. Register or login to your account.
 4. Tap + in the top right corner.
 5. Select "Wi-Fi Smoke alarm"
 6. Follow the instructions in the app.
-

Disconnecting the app

1. Open the Nedis Smartlife app on your phone.
 2. Open "Wi-Fi Smoke alarm" by tapping the corresponding tile in the app.
 3. Tap the pencil icon in the top right corner.
 4. Tap **Remove Device** at the bottom and confirm.
-

Use

Smoke alarm

When the product detects smoke, the alarm beeps and the indicator **A3** flashes red. In case of an alarm:

- Identify the source of the smoke.

Testing the product

The product must be tested to ensure proper operation.

Press the test/silence button. The alarm beeps three times and the indicator **A3** flashed red.

Silent mode

In silent mode, the alarm does not sound for 9 minutes.

The silent mode can be activated manually during an alarm.

Press and hold the test/silence button **A2** while the alarm sounds to activate silent mode.

After 9 minutes, the product returns to standby mode.

	LED light	Sound alarm
Standby mode	A3 blinks red every 40 seconds.	Off
Silent mode	A3 flashes red.	Off
Test	A3 flashes red.	3 long beeps.
Low battery condition	A3 blinks red once every 40 seconds.	Beeps once every 40 seconds.
Malfunction	A3 blinks red twice every 40 seconds.	Beeps twice every 40 seconds.
Smoke alarm	A3 flashes red.	Beeps continuously.

Troubleshooting

Problem	Possible solution
The alarm does not respond when you press the test button.	Make sure the battery is installed properly. Try a different battery.

A3 blinks twice and the alarm sound twice every 40 seconds.

The product is malfunctioning. Replace it.

Maintenance

Clean the product regularly with a soft, clean, dry cloth. Avoid abrasives that can damage the surface.

Do not use aggressive chemical cleaning agents such as ammonia, acid or acetone when cleaning the product.

Do not clean the inside of the product.

Warranty

Any changes and/or modifications to the product will void the warranty. We accept no

- liability for damage caused by improper use of the product.
- This product is designed for private use (normal domestic use) only. Nedis is not
- responsible for wear, defect and/or damages caused by commercial use of the product.

Disclaimer

- Designs and specifications are subject to change without notice. All logos, brands and
- product names are trademarks or registered trademarks of their respective owners and are
- hereby recognized as such.

Disposal



This symbol indicates that this product should not be thrown away with other household waste throughout the EU. To prevent possible harm to the environment or human health by uncontrolled waste disposal, you are responsible for recycling it so that it can promote the sustainable reuse of raw materials. To return your used product, you can use the regular return and collection systems or contact the store where the

Declaration of Conformity

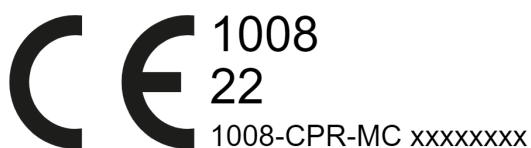
We, Nedis B.V. declare as manufacturer that the product WIFIDS20WT from our brand Nedis®, produced in China, has been tested according to all relevant CE standards and regulations and that all tests have been passed successfully. This includes, but is not limited to the RED 2014/53/EU regulation.

The complete Declaration of Conformity (and the safety datasheet if applicable) can be found and downloaded via:

nedis.com/WIFIDS20WT#support

Tested according to:

- EN 14604:2005
- EN 14604:2005/AC:2008



NEDIS B.V., De Tweeling 28,
5215 MC 's-Hertogenbosch, THE NETHERLANDS